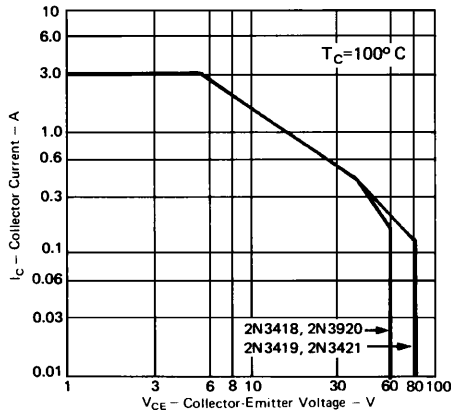


General Semiconductor Industries, Inc.

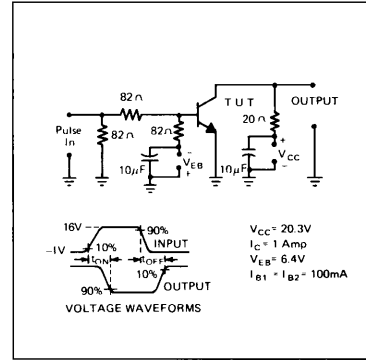
*DYNAMIC CHARACTERISTICS

CHARACTERISTIC	SYMBOL	TEST CONDITIONS	2N3418 2N3420		2N3419 2N3421		UNITS
			MIN.	MAX.	MIN.	MAX.	
Turn-On Time	t_{on}	See Figure 2	0.3		0.3		μ Sec
Turn-Off Time	t_{off}	See Figure 2	1.2		1.2		μ Sec
Collector Base Capacitance	C_{ob}	$V_{CE}=10V, f=1MHz$	150		150		pF
Collector Gain-Bandwidth Product	f_T	$I_C=1A, V_{CE}=10V, f=20MHz$	40		40		MHz

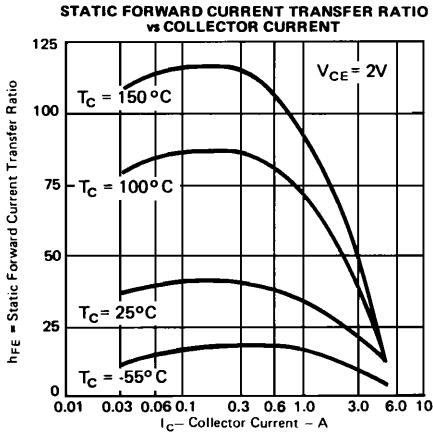
*JEDEC registered data.



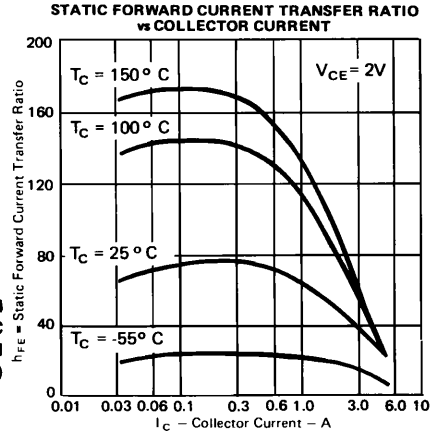
**Figure 1
MAXIMUM SAFE
OPERATING
REGION**



**Figure 2
SWITCHING
CIRCUIT**



**Figure 3
TYPICAL DC
CURRENT GAIN
(2N3418 - 2N3419)**



**Figure 4
TYPICAL DC
CURRENT GAIN
(2N3420 - 2N3421)**